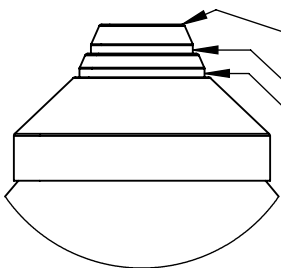
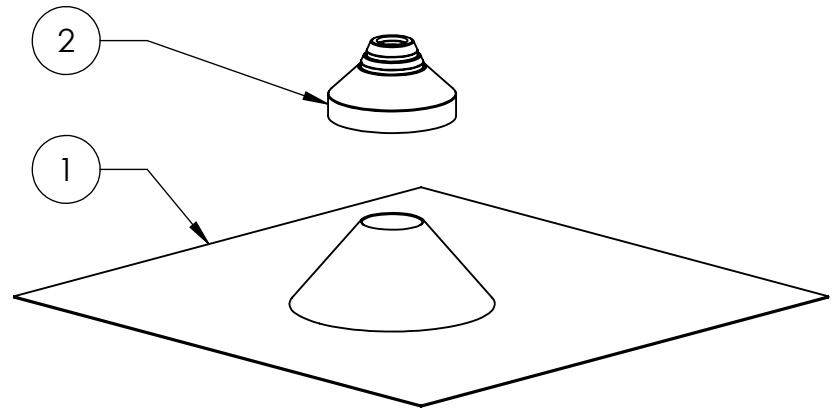


DETAIL A  
SCALE 1 : 2



- TOP ID FOR 1/2" CONDUIT
- CUT HERE FOR 3/4" CONDUIT
- CUT HERE FOR 1" CONDUIT

APPLY EPDM COMPATIBLE SEALANT WHERE CONDUIT CONTACTS COUNTER FLASHING.



ITEM NO.	DESCRIPTION	QTY.
1	FLASHING, SPUN CONE, 12" X 12" X .032" - 3003 AL, MILL	1
2	COUNTER FLASHING, CONDUIT, 1/2", 3/4", 1", EPDM RUBBER	1

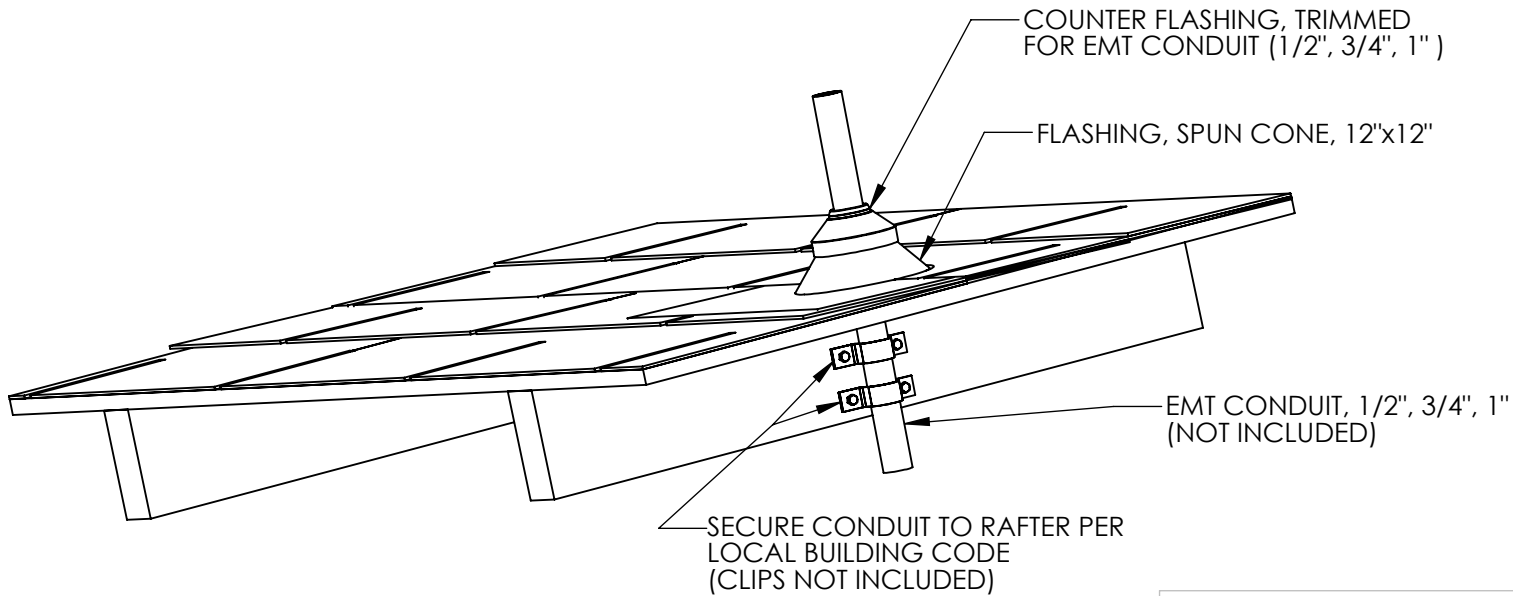
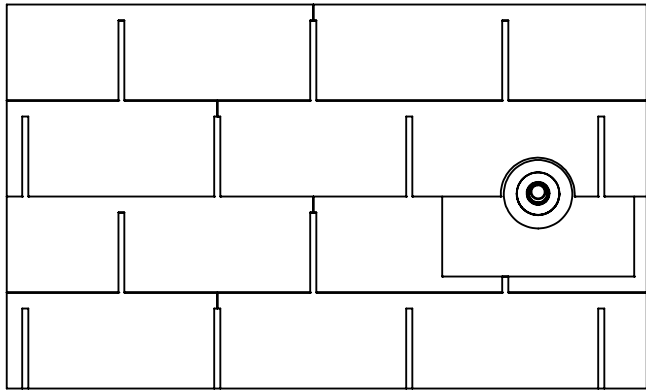
**Quick Mount PV<sup>®</sup>**

TITLE:  
**QMCP-CONDUIT PENETRATION FLASHING-COMP**

UNLESS OTHERWISE SPECIFIED:

DIMENSIONS ARE IN INCHES  
TOLERANCES:  
FRACTIONAL ± 1/8  
TWO PLACE DECIMAL ± .18  
THREE PLACE DECIMAL ± .125

<b>SIZE</b> <b>A</b>	DRAWN BY: RAD	REV <b>1</b>
	DATE: 11/15/2012	
SCALE: 1:4	WEIGHT: 0.53	SHEET 1 OF 2



**"Controlled Document  
Do Not Copy"**

**Quick Mount PV<sup>®</sup>**

TITLE:  
**QMCPC-CONDUIT PENETRATION  
FLASHING-COMP**

UNLESS OTHERWISE SPECIFIED: DIMENSIONS ARE IN INCHES TOLERANCES: FRACTIONAL ± 1/8 TWO PLACE DECIMAL ±.18 THREE PLACE DECIMAL ±.125	SIZE	DRAWN BY: RAD	REV
	<b>A</b>	DATE: 11/15/2012	<b>1</b>
SCALE: 1:4	WEIGHT: NA	SHEET 2 OF 2	

**PROPRIETARY AND CONFIDENTIAL**  
THE INFORMATION CONTAINED IN THIS DRAWING IS THE SOLE PROPERTY OF QUICK MOUNT PV. ANY REPRODUCTION IN PART OR AS A WHOLE WITHOUT THE WRITTEN PERMISSION OF QUICK MOUNT PV IS PROHIBITED.

DO NOT SCALE DRAWING

5

4

3

2

1